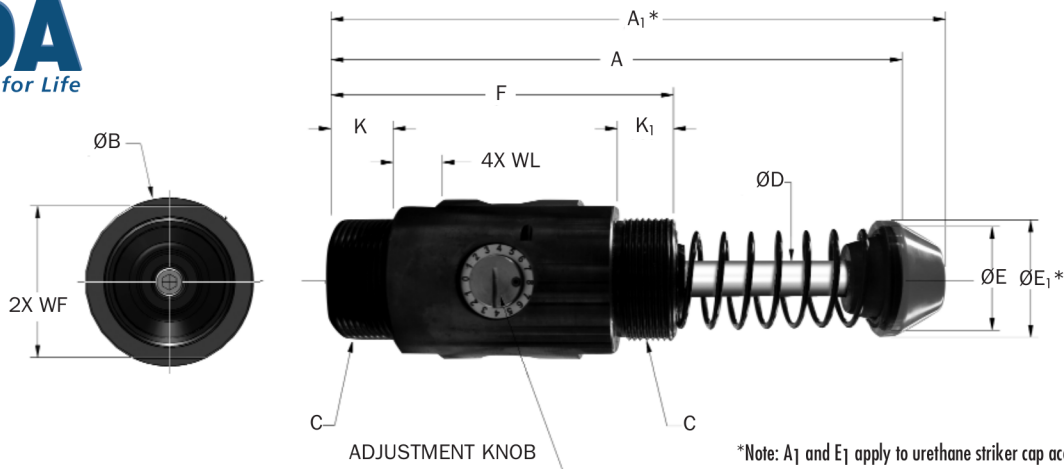


M45 Adjustable Series Shock Absorbers



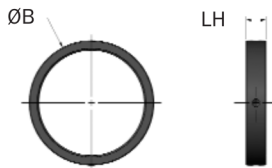
Technical Data



*Note: A₁ and E₁ apply to urethane striker cap accessory.

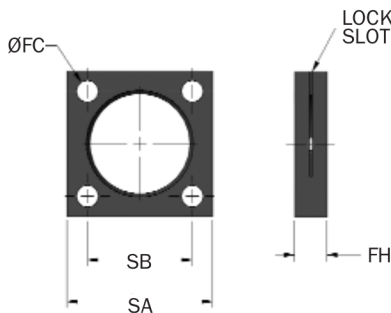
Catalog No.	(S) Stroke mm	Velocity Range m/sec.	Optimal (E _T) Max. Nm/cycle	(E _T -C) Max. Nm/hour	Max. Reaction Force N	Nominal Coil Spring Force		Max. Propelling Force N	(F _D) Mass Kg
						Extended N	Compressed N		
OEMXT 45M x 1	25,0	0,3-3,5	425	126 000	20 000	48	68	2 890	1,2
LROEMXT 45M x 1	25,0	0,08-1,3	425	126 000	20 000	48	68	6 660	1,2
OEMXT 45M x 2	50,0	0,3-3,5	850	167 000	20 000	29	68	2 890	1,7
LROEMXT 45M x 2	50,0	0,08-1,3	850	167 000	20 000	48	85	6 660	1,7
OEMXT 45M x 3	75,0	0,3-3,5	1 300	201 000	20 000	29	85	2 890	2,1

Catalog No.	C mm	A mm	A ₁ mm	B mm	D mm	E mm	E ₁ mm	F mm	K mm	K ₁ mm	WF mm	WL mm
(LR)OEMXT 45M x 1	M45 x 1.5	144	162	58	13	38	44	92	32	32	40,5	19
(LR)OEMXT 45M x 2	M45 x 1.5	195	213	58	13	38	44	118	45	45	40,5	19
(LR)OEMXT 45M x 3	M45 x 1.5	246	264	58	13	38	44	143	57	57	40,5	19



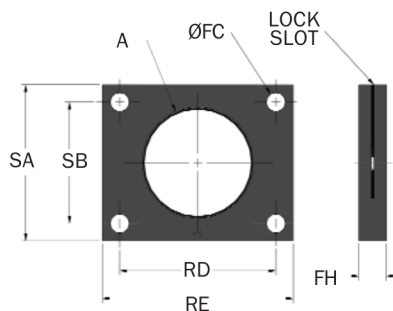
Lock Ring (LR)

Catalog No.	Part Number	Model (Ref)	B mm	LH mm	Mass g
LR M45 x 1.5	F88637049	M45 Series	57,2	9,5	75



Square Flange (SF)

Catalog No.	Part Number	Model (Ref)	FC mm	FH mm	SA mm	SB mm	Bolt Size	Mass g
SF M45 X 1.5	M48637129	M45 Series	8,6	12,7	57,2	41,3	M8	142



Rectangular Flange (RF)

Catalog No.	Part Number	Model (Ref)	A mm	FC mm	FH mm	RD mm	RE mm	SA mm	SB mm	Bolt Size	Mass g
RF M45 x 1.5	M58637053	M45 Series	M45 x 1.5	8,6	12,7	60,5	76,2	57,2	41,3	M8	142

